

KEEPING YOU CONNECTED!



SUN WEST ENGINEERING, INC.

3802 E. BROADWAY RD. • PHOENIX, AZ 85040 1-800-635-3658 • WWW.SUNWESTENG.COM

7300 4X4 COLT (8000# Customer Equipment Capacity)

Truck:

7300 International SFA 4X4 270" WB, 33,000# GVWR
Frame Reinforcement Outer "C" Channel 120,000 PSI Yield- with 20" Front Extensions
50-State 255 HP 660 LB-FT Torque (minimum) Diesel Engine-with Block Heater
Allison 3500 RDS with 80,000# GVW Maximum Capacity
14,000# Front Axle with 14,000# Suspension with 16-Ply Tires
23,000# Rear Axle with 23,500# Suspension & 4,500# Overloads with 16-Ply Tires
Maintenance Free Batteries (3), Dual Element Air Cleaner
Grille Ember Screen, 70-Gallon Fuel Tank (minimum)
Air Suspension High Back Seats with Integral Headrest
Automatic Transmission, Front Tow Hooks
Body Builder Circuits, Cruise Control, Tilt Steering
Deluxe Interior Trim Package, Grab Handles, Air Conditioning
AM/FM/CD Satellite-Compatible Stereo

Bed Frame and Accessories:

Fully Galvanized Custom Manufactured Bed Frame
Crows Nest Mast Supporting Deck with Folding Access Ladder
(4) Stabilizing Outriggers with 7,000# Jacks
Fold Our Rear Step for Easy Access,
(2) Storage Boxes
Cab Mounted Work Lights

6 Bay Equipment Cabinet:

U.L. Listed Nema 3R Communications Cabinet, 130 MPH Wind Load, 150 PSF Snow Load
Zone 4 Rated
(2) 3-Ton HVAC Units with Lead-Lag Controller
Halo Ground Ring, Main Ground Bar (Exterior) Equipment Ground Bar (Interior)
225 AMP 42 Position 1 Phase 3 Wire 120/240 Volt Distribution Panel
Manual Transfer Switch with MOV/SAD Surge Protection and Appleton Receptacle
R/F Entry Port, Interior and Exterior GFI Service Receptacles
Fire Extinguisher, First Aid and Eye Wash Kit
Flexible Equipment Mounting with Ceiling Mounted Ladder Rack
Telco Entrance with Interior Telco Board
Hi & Lo Temperature, Intrusion, Smoke, Surge, Utility Power fail and Vehicle Cab Intrusion Alarms

Mast:

(1) 30' Pneumatic HD Locking with Rotating base 150# Capacity with Protective Weather Cover, 10 Sq-Ft Sail 60 MPH Wind Load (Guy Kit Included)
(1) 60' Pneumatic HD Locking with Rotating base 400# Capacity with Protective Weather Cover, 20 Sq-Ft Sail 60 MPH Wind Load (Guy Kit Included)

Generator:

26 Kw Diesel (Auto Start)
1 Phase 120/240 Volt 108 Amp
Block Heater and Battery Charger Included

Options/Adders:

1.8 Meter Satellite Dish with Auto Acquisition Controller
2nd 60' Mast in Lieu of 30' Mast
76' Mast in Lieu of 60' Mast
56Kw Generator in Lieu of 26Kw
100 Gallon Auxiliary Fuel Tank
3 Sector Antenna Mounting System
Pan & Tilt Microwave Mount with Controller
Mid-Level Microwave Mount
R/F Cable Spools with Weather Covers
Emergency Lighting Package, Flashers and Beacon
Automatic Transfer Switch in Lieu of Manual Transfer Switch

Notes:

- The addition or substitution of components can decrease the available capacity of customer equipment or require the vehicles GVWR to be increased therefore requiring FET Taxes to be applied
- All dimensional and weight data specified herein is subject to Sun West Engineering's manufacturing tolerances and may vary or change without notice depending on the selected and installed components
- Special designs and configurations are available to support customer requirements, including Extended Cabs and Crew Cabs.
- Manuals describing Maintenance and Operational functions for integrated components and complete assembly are included, on site Demos and training available upon request.

POWER WHERE YOU NEED IT!



SUN WEST ENGINEERING, INC.

3802 E. BROADWAY RD. • PHOENIX, AZ 85040

1 • 800 • 635 • 3658 • WWW.SUNWESTENG.COM

©2007 Sun West Engineering Inc. All rights reserved.

7300 MTN-GOAT (Mountain Goat) Power Restoration Vehicle

Truck:

7300 International SFA 4X4 258" WB, 36,000# GVWR
50-state 225 HP 560 LB-FT Torque (minimum) Diesel
Engine with Block Heater
13,000# Front axle with 14,000# Suspension, 16-Ply Tires
23,000# Rear Axle with 31,000# Suspension & 4500#
Overloads with 16-Ply Tires
70-Gallon Fuel Tank (minimum)
Automatic Transmission, Front Tow Hooks
Body Builder Circuits, Cruise Control, Tilt Steering
Deluxe Interior Trim Package, Grab Handles, Air
Conditioning
AM/FM/CD Satellite-Compatible Stereo, Air Ride Driver's
Seat

Generator:

240Kw (Prime Power) Diesel Generator with Block Heater
and Battery Charger installed
130 Gallon Fuel Capacity with 70 Gallon extended

Generator Modifications:

Link Panel removed and replaced with Radial
Re-connect Switch allowing rapid and precise Voltage
selection with the absence of Tools

Available Voltages:

1-Phase 120/127/139/240/254/277
3-Phase 208/220/240/416/440/480

Bed Frame and Accessories:

Fully Galvanized Custom-Manufactured Bed Frame
Fold-Out Rear Step for Easy Access
(4) Stabilizing Outriggers with 7000# Jacks
Cab-Mounted Work Lights
(2) Storage Boxes

Options:

320Kw (Prime Power) Generator in lieu of 240Kw
Emergency Lighting Package, Flashers and Beacon

(1) or (2) 400 Amp Appleton Receptacles for quick connect
with voltage indicator, Breaker protected between Switch
and Appleton

Notes:

- Special designs and configurations available to support customer requirements, including Extended Cabs, and Crew Cabs.
- All dimensional and weight data specified herein is subject to Sun West Engineering's manufacturing tolerances and may vary or change without notice depending on the selected and installed components.
- Manuals describing Maintenance and Operational Functions for the integrated Components and complete assembly are included.
- On-site Demos and Training available upon request.



KEEPING YOU CONNECTED!



SUN WEST ENGINEERING, INC.

3802 E. BROADWAY RD. • PHOENIX, AZ 85040

1 • 800 • 635 • 3658 • WWW.SUNWESTENG.COM

©2007 Sun West Engineering Inc. All rights reserved.

4300 "NON CDL" COLT (4500# Customer Equipment Capacity)

Truck:

4300 International SBA 4X2, 254" WB, 26,000# GVWR
50-state 225 HP 560 LB-FT Torque (minimum) Diesel Engine with Block Heater
12,000# Front axle with 12,000# Suspension, 16-Ply Tires
21,000# Rear Axle with 23,500# Suspension & 4500# Overloads, 16-Ply Tires
Automatic Transmission, Front Tow Hooks, (2) 50-Gallon Fuel Tanks
Deluxe Interior Trim Package, Grab Handles, Air Conditioning
Body Builder Circuits, Cruise Control, Tilt Steering
AM/FM/CD Satellite-Compatible Stereo, Air Ride Driver's Seat

Bed Frame and Accessories:

Fully Galvanized Custom-Manufactured Bed Frame
Crows Nest Mast Supporting Deck with Folding Access ladder
(4) Stabilizing Outriggers with 7000# Jacks
Fold-Out Rear Step for Easy Access
(2) Storage Boxes
Cab-Mounted Work Lights

6-Bay Equipment Cabinet:

U.L. Listed Nema 3R Communications Cabinet, 130 MPH Wind Load, 150 PSF Snow Load, Zone 4 Rated
(2) 3-Ton HVAC Units with Lead-Lag Controller
Halo Ground Ring, Main Ground Bar (Exterior), Equipment Ground Bar (Interior)
225 AMP 42-Position 1-Phase 3-Wire Distribution Panel
Manual Transfer Switch with MOV/SAD Surge Protection and Appleton Receptacle
R/F Entry Port, Interior and Exterior GFI Service Receptacles
Fire Extinguisher, First Aid and Eye Wash Kit

Flexible Equipment Mounting with Ceiling-Mounted Ladder Rack
Telco Entrance with Interior Telco Board
Hi & Lo Temperature, Intrusion, Smoke, Surge, Utility Power Fail and Vehicle Cab Intrusion Alarms

Mast:

(1) 30' Pneumatic HD Locking with Rotating Base, 150# Capacity with Protective Weather Cover, 10 Sq-Ft Sail 60 MPH Wind Load (Guy Kit Included)
(1) 60' Pneumatic HD Locking with Rotating Base, 400# Capacity with Protective Weather Cover, 20 Sq-Ft Sail 60 MPH Wind Load (Guy Kit Included)

Generator:

15 KW Diesel (Auto Start)
1-Phase 120/240 Volt 62 AMP
Block Heater and Battery Charger Included

Options/Adders:

1.8 Meter Satellite Dish with Auto Acquisition Controller
2nd 60' Mast in Lieu of 30' Mast
76' Mast in Lieu of 60' Mast
26 KW Generator in Lieu of 15 KW
100-Gallon Auxiliary Fuel Tank with Fuel Transfer System and Low Fuel Alarm
3-Sector Antenna Mounting System
Mid-Level Microwave Mount
R/F Cable Spools with Weather Covers
Emergency Lighting Package, Flashers and Beacon
Automatic Transfer Switch in Lieu of Manual Transfer Switch

Notes:

- The addition or substitution of components can decrease the available capacity of customer equipment or require the vehicle's GVWR to be increased, therefore demanding the operator to be CDL-certified.
- All dimensional and weight data specified herein is subject to Sun West Engineering's manufacturing tolerances and may vary or change without notice depending on the selected and installed components.
- Special designs and configurations are available to support customer requirements, including Extended Cabs and Crew Cabs.
- Manuals describing Maintenance and Operational Functions for the integrated components, and complete assembly are included.
- On-site Demos and Training available upon request.

**KEEPING
YOU CONNECTED!**



SUN WEST ENGINEERING, INC.

3802 E. BROADWAY RD. • PHOENIX, AZ 85040

1 • 800 • 635 • 3658 • WWW.SUNWESTENG.COM

©2007 Sun West Engineering Inc. All rights reserved.

COW Specifications and Options

Trailers 91" X 18', 20', or 22' (DOT Compliant):

16,000# GVWR, Spare Tire
10,000# Tongue Jack, Conspicuity Markings
5,000# Leveling Jacks (4), Adjustable Safety Chains
Hot Dipped Galvanized, Multiple Position Outriggers
Retractable Rear Approach Step, (G) Rated Tires, (K) Rated Rims
Storage Boxes (2) Saddlebag (1) Tongue
Universal Mounting, Non-Skid, Steel grating Deck
Traversing Axle Carriage (To Balance Load Distribution)
Electric Brakes, (Both Axles) With Emergency Break-Away
25,000# 2-5/16" Ball Hitch With 5,000# Tongue Load (Vertically Adjustable)

Trailers 101" X 22', 24', or 26' (DOT Compliant):

22,000# GVWR, Spare Tire
25,000# Two Speed Tongue Jack, Conspicuity Markings
7,000# Leveling Jacks (4), Adjustable Safety Chains
Hot Dipped Galvanized, Multiple Position Outriggers
Retractable Rear Approach Step, (E) Rated Tires, (K) Rated Rims
Storage Boxes (2) Saddlebag (1) Tongue
Universal Mounting, Non-Skid, Steel grating Deck
Traversing Axle Carriage (To Balance load Distribution)
Electric Brakes, (Both Axles) With Emergency Break-Away
30,000# Pintle Hitch With 6,000# Tongue Load (Vertically Adjustable)

Cabinets:

4-Bay, 5-Bay, 6-Bay or Custom Configurations

Crows Nest Mast Support Structure:

91" or 101" OSHA Compliant With Boarding Ladder, Non-Skid Steel Grating Deck Fully Galvanized

Generators:

15 Kw 1 Phase 3 Wire 120/240 Volt
26 Kw 1 Phase 3 Wire 120/240 Volt
56 Kw 1 Phase 3 Wire 120/240 Volt

Extended Run Fuel Cell:

50 Gallon, 100 Gallon or Customer Configurations

Pneumatic Mast:

30' 150# Payload Capacity
42' 150# Payload Capacity
56' 200# Payload Capacity
60' 200# Payload Capacity
60' 400# Payload Capacity
76' 400# Payload Capacity

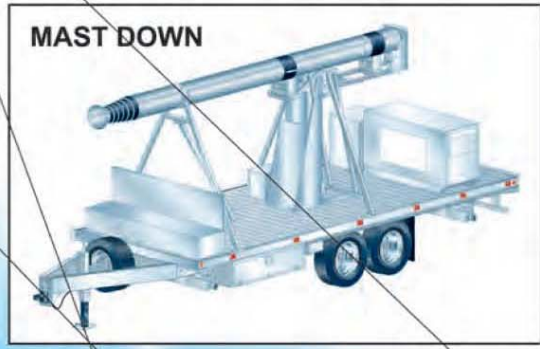
Miscellaneous:

Manual "or" Automatic Transfer Switch
Pan & Tilt Remote Control System
Satellite Dish and Auto Acquisition Controller
3-Sector Antenna Mount

Notes:

- Special designs and configurations available to support customer requirements.
- All dimensional and weight data specified herein is subject to Sun West Engineering's manufacturing tolerances and may vary or change without notice depending on the selected and installed components.
- Manuals describing Maintenance and Operational Functions for the integrated Components and complete assembly are included.
- On-site Demos and Training available upon request.

KEEPING YOU CONNECTED!



SUN WEST ENGINEERING, INC.

3802 E. BROADWAY RD. • PHOENIX, AZ 85040
1 • 800 • 635 • 3658 • WWW.SUNWESTENG.COM

© 2008 Sun West Engineering Inc. All rights reserved!



100' & 120' COW Specifications and Options

Trailers 91" X 18', 20', or 22' (DOT Compliant)

16,000# GVWR, Spare Tire
10,000# Tongue Jack, Conspicuity Markings
5,000# Leveling Jacks (4), Adjustable Safety Chains
Fully Hot Dipped Galvanized, Multiple Position Outriggers
Retractable Rear Approach Step, (G) Rated Tires, (K) Rated Rims
Storage Boxes (2) Saddlebag (1) Tongue
Universal Mounting Non-Skid Steel grating Deck
Traversing Axle Carriage (To Balance load Distribution)
Electric Brakes, (Both Axles) With Emergency Break-Away
25,000# 2-5/16" Ball Hitch With 5,000# Tongue Load (Vertically Adjustable)

Trailers 101" X 22', 24', or 26' (DOT Compliant)

22,000# GVWR, Spare Tire
25,000# Two Speed Tongue Jack, Conspicuity Markings
7,000# Leveling Jacks (4), Adjustable Safety Chains
Fully Hot Dipped Galvanized, Multiple Position Outriggers
Retractable Rear Approach Step, (E) Rated Tires, (K) Rated Rims
Storage Boxes (2) Saddlebag (1) Tongue
Universal Mounting Non-Skid Steel grating Deck
Electric Brakes, (Both Axles) With Emergency Break-Away
35,000# Pintle Hitch With 7,000# Tongue Load (Vertically Adjustable)

Cabinets:

4-Bay, 5-Bay, 6-Bay
Custom Configurations

Mast Support Structure:

Hydraulic Mast Tilt Over
Fully Galvanized

Generators:

15 Kw 1 Phase 3 Wire 120/240 Volt
26 Kw 1 Phase 3 Wire 120/240 Volt
56 Kw 1 Phase 3 Wire 120/240 Volt

Extended Run Fuel Cell:

50 Gallon
100 Gallon
Customer Configurations

Pneumatic Mast:

100' 400# Payload Capacity
120' 400# Payload Capacity

Miscellaneous:

3-Sector Antenna Mount
Pan & Tilt Remote Control System
Manual "or" Automatic Transfer Switch

Notes:

- Special designs and configurations available to support customer requirements.
- All dimensional and weight data specified herein is subject to Sun West Engineering's manufacturing tolerances and may vary or change without notice depending on the selected and installed components
- Manuals describing Maintenance and Operational Functions for integrated Components and complete assembly included.
- On-site Demos and Training available upon request.



BATTERY RACK SOLUTIONS

Nebs Zone 4 Compliance & Zone 2 Solutions / 24 Volt & 48 Volt

- Non-Halogen Fire Resistant, Flame Retardant, Telco-Flex Cabling
- Color coded cables with protective caps - Black /Blue 48 Volts - Black/Red 24 Volts
- Positive / negative markings on Cables and Buss
- Designed to accommodate 150 - 170 series Batteries from major manufacturers including Northstar, Douglas, C&D, Deka, GNB and FIAMM.

PRODUCT #	ZONE	HEIGHT	WIDTH
S045121 (24V)	Welded Zone 2	(3) Shelf	(4) Wide
S045118 (24V)	Welded Zone 2	(4) Shelf	(4) Wide
S046074 (24V)	Welded Zone 2	(5) Shelf	(4) Wide
S045121 (-48V)	Welded Zone 2	(3) Shelf	(4) Wide
S045118 (-48V)	Welded Zone 2	(4) Shelf	(4) Wide
S046074 (-48V)	Welded Zone 2	(5) Shelf	(4) Wide
S045141 (24V)	Welded Zone 4	(3) Shelf	(4) Wide
S045131 (24V)	Welded Zone 4	(4) Shelf	(4) Wide
S046026 (24V)	Welded Zone 4	(5) Shelf	(4) Wide
S045141 (-48V)	Welded Zone 4	(3) Shelf	(4) Wide
S045131 (-48V)	Welded Zone 4	(4) Shelf	(4) Wide
S046026 (-48V)	Welded Zone 4	(5) Shelf	(4) Wide
S046309 (24V)	Welded Zone 4	(3) Shelf	(6) Wide
S046306 (24V)	Welded Zone 4	(4) Shelf	(6) Wide
S046312 (24V)	Welded Zone 4	(5) Shelf	(6) Wide
S047030 (24V)	Welded Zone 2	(3) Shelf	(6) Wide
S047031 (24V)	Welded Zone 2	(4) Shelf	(6) Wide
S047032 (24V)	Welded Zone 2	(5) Shelf	(6) Wide



INTRODUCES BATTERY RACK SOLUTIONS



Zone 2 4Wide 5Tall

Zone 4 4Wide 3Tall

SUN WEST ENGINEERING, INC.

3802 E. BROADWAY RD. • PHOENIX, AZ 85040 • 1-800-635-3658 • WWW.SUNWESTENG.COM
 FAX: 602-276-2113 • PH: 602-275-0662

SUN WEST ENGINEERING, INC.

3802 E. BROADWAY RD. • PHOENIX, AZ 85040 • 1-800-635-3658 • WWW.SUNWESTENG.COM



SUN WEST ENGINEERING, INC.

BATTERY RACK SOLUTIONS

Nebs Zone 4 Compliance & Zone 2 Solutions / 24 Volt & 48 Volt



S045121 (-48V)
Welded Zone 2 / (3) Shelf (4) Wide



S045131 (-48V)
Welded Zone 2 / (4) Shelf (4) Wide



S046074 (-48V)
Welded Zone 2 / (5) Shelf (4) Wide



S046312 (24V)
Welded Zone 4 / (5) Shelf (6) Wide



S046026 (24V)
Welded Zone 4 / (5) Shelf (4) Wide



S045131 (24V)
Welded Zone 4 / (4) Shelf (4) Wide



S045141 (24V)
Welded Zone 4 / (3) Shelf (4) Wide

- Non-Halogen Fire Resistant, Flame Retardant, Telco-Flex Cabling
- Color coded cables with protective caps - Black / Blue 48 Volts - Black / Red 24 Volts
- Positive / negative markings on Cables and Bus
- Designed to accommodate 150 - 170 series Batteries from major manufacturers including Northstar, Douglas, C&D, Deka, GNB and FIAMM

SEE INFORMATION CHART ON BACK FOR INDIVIDUAL PRODUCT SPECIFICATIONS:

Zone2 4Wide 3Tail

Zone2 4Wide 5Tail

Zone4 4Wide 5Tail

Zone4 4Wide 4Tail

Zone4 4Wide 3Tail



SUN WEST ENGINEERING, INC.

3802 E. BROADWAY RD. • PHOENIX, ARIZONA 85040

(602) 275-0662

FAX (602) 276-2113

mail@sunwesteng.com

Products and Services

COLTS (Cell on Light Trucks)

Flexibility in manufacturing a broad line of COLTS for homeland security and temporary communications requirements; these COLTS can be configured to accommodate demanding requirements from 26000# Non-CDL to expanded capacity CDL configurations.

COWS (Cell on Trailers)

Manufacturing a rugged line of COWS for your communications requirements including event coverage and interim applications, let our experienced team configure a COW to support network development.

COPS (Cell on Platforms)

Our COPS are designed and manufactured to support specific applications while providing ease of use with rapid deployment using roll off techniques or commercially available Forklifts, our stand alone design with inclusive Mast requires minimal property yet delivers enormous results.

U.L. Listed Communications Cabinets

Providing an unlimited selection of U.L. Listed Equipment Cabinets for your communications requirements, our team will promptly design and offer solutions for your consideration.

Install and Integration

Sun West can coordinate installation of your Equipment into our U.L. Listed Cabinets, COWS or COLTS including DC Power and Integration providing turn key delivery.

Site Services, Project Design and Consulting

Let our professional team design manufacture and erect one of our U.L. Listed Cabinets in those challenged locations otherwise not achievable, Roof tops, Parking Garages and restricted areas.

Coming Soon

Rental COWS for temporary deployments configured with 60' Mast, 5-Bay Equipment Cabinet and 26Kw Generator.

